

AI Vandal Proof Dome IP Camera

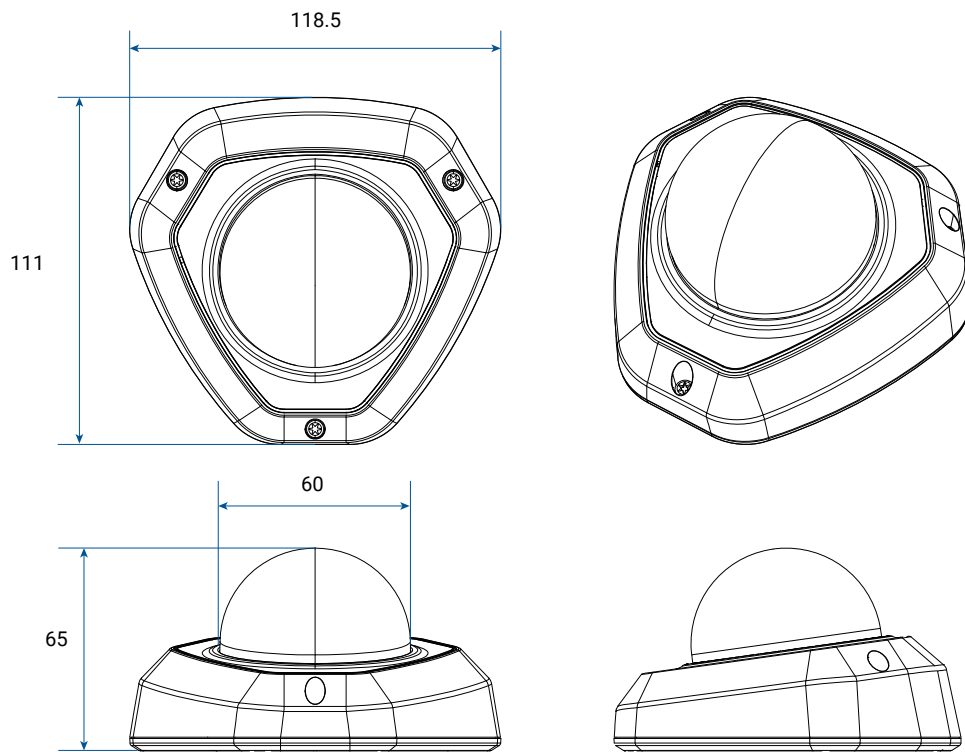
4K • AI • 120dB WDR • 0.012Lux Ultra Low-light • EN50155 • IP67 • IK10
• 30m IR Distance



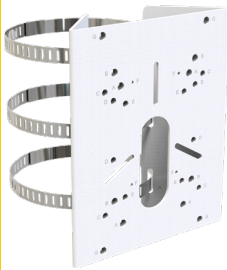
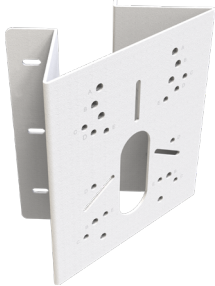


MODEL		TA-K88173-PK
CAMERA	Image Sensor	1/2.8" Progressive Scan CMOS Sensor
	Minimum Illumination	Colour: 0.012Lux @F1.6 B/W: 0Lux with IR on
	WDR	120dB Super WDR
	Lens	2.8mm/4mm/6mm@F1.6
	Mount	M12
	Field of View	H110°/D126°/V60°(2.8mm) H91°/D106°/V50°(4mm) H55°/D63°/V32°(6mm)
	Shutter Time	1/100000s~1s
	IR Distance	Up to 30m
	Day/Night Mode	Day/Night/Auto/Customize/Schedule
	S/N Ratio	>55dB
VIDEO	Maximum Image Resolution	3840x2160

VIDEO	Primary Stream	60Hz: 30fps@(3840x2160, 3072x2048, 2592x1944, 2592x1520, 2048x1536, 1920x1080, 1280x960, 1280x720, 704x576) 50Hz: 25fps@(3840x2160, 3072x2048, 2592x1944, 2592x1520, 2048x1536, 1920x1080, 1280x960, 1280x720, 704x576)
	Secondary Stream	60Hz: 30fps@(704x576, 640x480, 640x360, 352x288, 320x240, 320x192, 320x180) 50Hz: 25fps@(704x576, 640x480, 640x360, 352x288, 320x240, 320x192, 320x180)
	Tertiary Stream	60Hz: 30fps@(1920x1080, 1280x720, 704x576, 640x480, 640x360, 320x240, 320x192, 320x180) 50Hz: 25fps@(1920x1080, 1280x720, 704x576, 640x480, 640x360, 320x240, 320x192, 320x180)
	Video Compression	H.265+/H.265(HEVC)/H.264+/H.264/MJPEG
	Video Bit Rate	16Kbps~16Mbps(CBR/VBR Adjustable)
	Privacy Masking	Up to 28 areas(24 mask areas and 4 mosaic areas)
	ROI	Up to 8 areas
	Image Setting	Brightness/Contrast/Saturation/Sharpness
INTERFACE	Ethernet	1*RJ45 10M/100M Ethernet Port
	Audio I/O	Built-in Microphone; 1/1 (Multi-interface Version)
	Alarm I/O	1/1 (Multi-interface Version)
NETWORK	Network Storage	NAS(Support NFS, SMB/CIFS), ANR
	Protocol	IPv4/IPv6, ARP, TCP, UDP, RTCP, RTP, RTSP, RTMP, HTTP, HTTPS, DNS, DDNS, DHCP, FTP, NTP, SMTP, SNMP, UPnP, Bonjour, SIP, PPPoE, VLAN, 802.1x, QoS, IGMP, ICMP, SSL
AUDIO	Audio Compression	G.711/AAC/G.722/G.726
	Audio Sampling Rate	8/16/32/44.1/48KHz
	Audio Bit Rate	16~256kbps
	Two-way Audio	Support
INTELLIGENT ANALYTICS	Video Analysis	Region Entrance, Region Exiting, Advanced Motion Detection, Tamper Detection, Line Crossing, Loitering, Object Left, Object Removed
	Face Detection	Detect and capture faces, get real-time snapshots
	People Counting & Report	Count the number of people entering or exiting, up to 4 detection areas for regional people counting
SYSTEM	Storage	Support microSD/SDHC/SDXC Card Local Storage, up to 256G
	Advanced Function	Heat Map, BLC, HLC, 2D DNR, 3D DNR, Defog, AWB, EIS, IP Address Filtering, AGC, Anti-flicker, Corridor Mode, Deblur, Watermark
	SIP/VoIP Support	Yes, Voice & Video-over-IP
	Event Trigger	Motion Detection, Network Disconnection, Audio Alarm, etc.; Motion Detection, Network Disconnection, External Input, Audio Alarm, etc. (Multi-interface Version)
	Event Action	FTP Upload, SMTP Upload, SD Card Record, SIP Phone, HTTP Notification, etc.; FTP Upload, SMTP Upload, SD Card Record, External Output, SIP Phone, HTTP Notification, etc. (Multi-interface Version)
	System Compatibility	ONVIF Profile G & Q & S & T, API
GENERAL	Working Temperature	-40°C~60°C
	Working Humidity	0~90%(Non-condensing)
	Power Supply	PoE (802.3af); PoE (802.3af) / DC 12V±10% (Multi-interface Version)
	Power Consumption	6W MAX / 7W MAX (With IR on)
	Weather Proof	Up to IP67-rated for Weather-resistant Performance
	Housing	Vandal-proof IK10-rated Metal Housing
	EN50155	Support
	Weight	500g
	Dimensions	118.5mmX110.8mmX65mm
	Warranty	3/5 Years

Structure Diagram:



Accessories:

T01 POLE MOUNT	T03 EXTERNAL CORNER BRACKET	T71 WALL MOUNT
<p>Weight: 720g Dimensions: 170*51.5*152.6mm</p> 	<p>Weight: 900g Dimensions: 170*152.5*76.3mm</p> 	<p>Weight: 530g Dimensions: 162*124*78mm</p> 
T73 ADAPTOR PLATE	T74 JUNCTION BOX	
<p>Weight: 28g Dimensions: 115*122.5*10mm</p> 	<p>Weight: 60g Dimensions: 121.5*116.5*37.2mm</p> 