

AI Vandal Proof Dome IP Camera

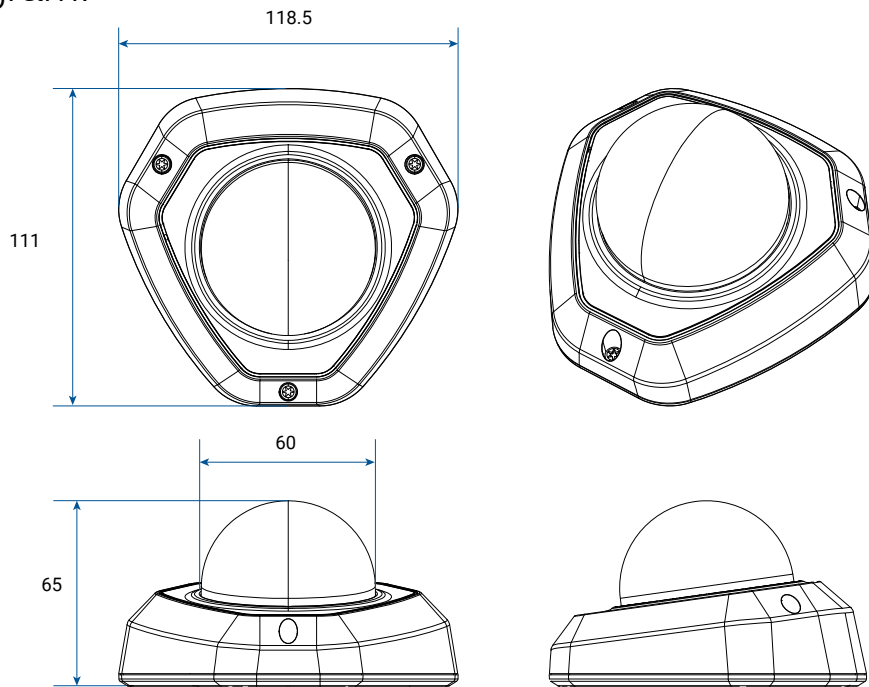
4K • AI • 120dB WDR • 0.012Lux Low-light • IP67 • IK10 • 30m IR Distance



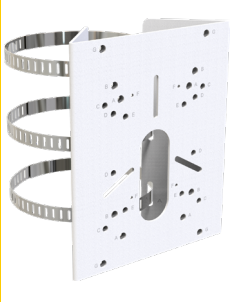


MODEL		TA-K88173-PD
CAMERA	Image Sensor	1/2.8" Progressive Scan CMOS Sensor
	Minimum Illumination	Colour: 0.012Lux @F1.6 B/W: 0Lux with IR on
	WDR	120dB Super WDR
	Lens	2.8mm/4mm/6mm@F1.6
	Mount	M12
	Field of View	H110°/D126°/V60°(2.8mm) H91°/D106°/V50°(4mm) H55°/D63°/V32°(6mm)
	Shutter Time	1/100000s~1s
	IR Distance	Up to 30m
	Day/Night Mode	Day/Night/Auto/Customize/Schedule
	S/N Ratio	>55dB
VIDEO	Maximum Image Resolution	3840x2160
	Primary Stream	60Hz/50Hz: 30fps@(3840x2160, 3072x2048, 2592x1944, 2592x1520, 2048x1536, 1920x1080, 1280x960, 1280x720, 704x576), 20fps@(3840x2160)(Optional for S Series)
	Secondary Stream	60Hz: 30fps@(704x576, 640x480, 640x360, 352x288) 50Hz: 25fps@(704x576, 640x480, 640x360, 352x288)
	Tertiary Stream	60Hz: 30fps@(1280x720, 704x576, 640x480, 640x360, 352x288) 50Hz: 25fps@(1280x720, 704x576, 640x480, 640x360, 352x288)
	Video Compression	H.265+/H.265(HEVC)/H.264+/H.264/MJPEG

VIDEO	Video Bit Rate	16Kbps~16Mbps(CBR/VBR Adjustable)
	Privacy Masking	Up to 4 areas
	ROI	Up to 8 areas
	Image Setting	Brightness/Contrast/Saturation/Sharpness
INTERFACE	Ethernet	1*RJ45 10M/100M Ethernet Port
	Audio I/O	Built-in Microphone; 1/1 (Multi-interface Version)
	Alarm I/O	1/1 (Multi-interface Version)
NETWORK	Network Storage	NAS(Support NFS, SMB/CIFS), ANR
	Protocol	IPv4/IPv6, ARP, TCP, UDP, RTCP, RTP, RTSP, RTMP, HTTP, HTTPS, DNS, DDNS, DHCP, FTP, NTP, SMTP, SNMP, UPnP, Bonjour, SIP, PPPoE, VLAN, 802.1x, QoS, IGMP, ICMP, SSL
AUDIO	Audio Compression	G.711/AAC/G.722/G.726
	Audio Sampling Rate	8/16/32/48KHz
	Audio Bit Rate	16~256kbps
	Two-way Audio	Support
INTELLIGENT ANALYTICS	Video Analysis	Region Entrance, Region Exiting, Advanced Motion Detection, Tamper Detection, Line Crossing, Loitering, Object Left, Object Removed
SYSTEM	Storage	Support microSD/SDHC/SDXC Card Local Storage, up to 256G
	Advanced Function	BLC, HLC, 2D DNR, 3D DNR, Defog, AWB, IP Address Filtering, AGC, Anti-flicker, Corridor Mode, Deblur
	SIP/VoIP Support	Yes, Voice & Video-over-IP
	Event Trigger	Motion Detection, Network Disconnection, Audio Alarm, etc.; Motion Detection, Network Disconnection, External Input, Audio Alarm, etc. (Multi-interface Version)
	Event Action	FTP Upload, SMTP Upload, SD Card Record, SIP Phone, HTTP Notification, etc.; FTP Upload, SMTP Upload, SD Card Record, External Output, SIP Phone, HTTP Notification, etc. (Multi-interface Version)
	System Compatibility	ONVIF Profile G & Q & S & T, API
GENERAL	Working Temperature	-40°C~60°C
	Working Humidity	0~90%(Non-condensing)
	Power Supply	PoE (802.3af); PoE (802.3af) / DC 12V±10% (Multi-interface Version)
	Power Consumption	4.4W MAX / 6.1W MAX (With IR on)
	Weather Proof	Up to IP67-rated for Weather-resistant Performance
	Housing	Vandal-proof IK10-rated Metal Housing
	Weight	500g
	Dimensions	118.5mmX110.8mmX65mm
	Warranty	3/5 Years
OPTIONS	TA-K88173-SPD	4K AI Vandal Proof Dome IP Camera Primary Stream – 20fps@3840x2160

Structure Diagram:



Accessories:

T01 POLE MOUNT		T03 EXTERNAL CORNER BRACKET	T71 WALL MOUNT
Weight: 720g Dimensions: 170*51.5*152.6mm		Weight: 900g Dimensions: 170*152.5*76.3mm	
T73 ADAPTOR PLATE		T74 JUNCTION BOX	
Weight: 28g Dimensions: 115*122.5*10mm		Weight: 60g Dimensions: 121.5*116.5*37.2 mm	