

AI Motorized Dome IP Camera

4K • AI • 120dB Super WDR • 0.009Lux Low-light • IP67 • IK10 • Smart IR II • 50m IR Distance • PoE

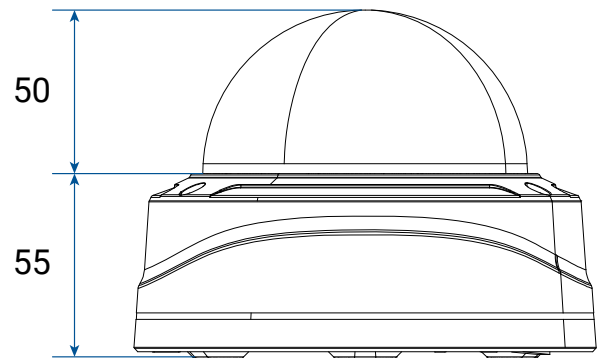
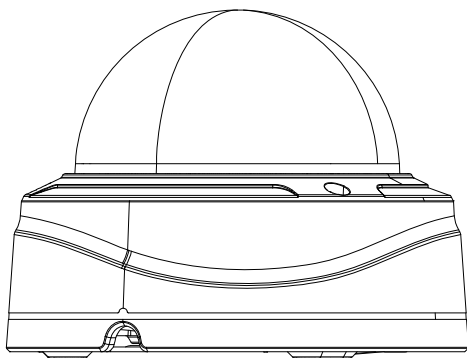
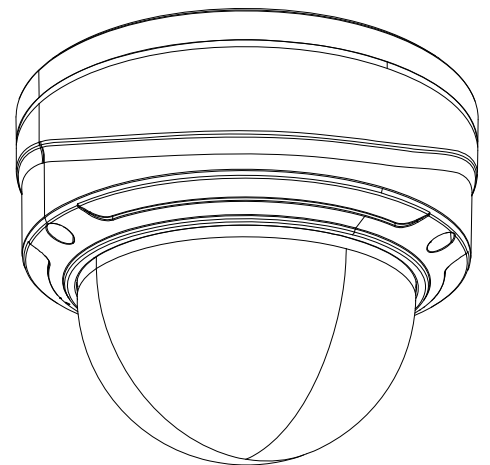
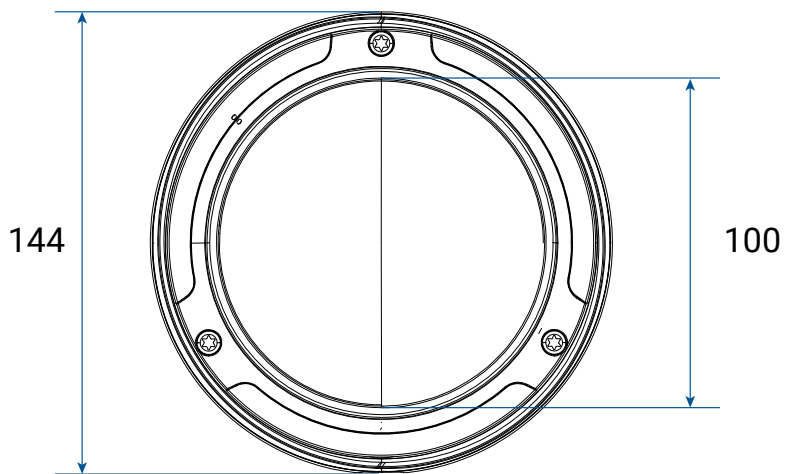


MODEL		TA-K88172-FPA	TA-K88272-FPA
CAMERA	Image Sensor	1/2.8" Progressive Scan CMOS Sensor	1/1.8" Progressive Scan CMOS Sensor
	Minimum Illumination	Colour: 0.012Lux @F1.4 B/W: 0Lux with IR on	Colour: 0.009Lux@F1.4 B/W: 0Lux with IR on
	WDR	120dB Super WDR	
	Shutter Time	1/100000s~1s	
	IR Distance	Up to 50m	
	Day/Night Mode	Day/Night/Auto/Customize/Schedule	
	S/N Ratio	>55dB	
LENS	Lens	Motorized 2.7~13.5mm@F1.4 P-Iris(Optional)	Motorized 3.6~10mm@F1.4 P-Iris(Optional)
	Field of View	H96°~H33°/D112°~D37°/V53°~V18°	H110°~H46°/D126°~D54°/V61°~V25°
	Mount	Φ14	
	Focus Control	Auto/Manual	
	Iris Control (Optional for I Series)	Auto/Manual	

VIDEO	Maximum Image Resolution	3840x2160
	Primary Stream	60Hz: 30fps@(3840x2160, 3072x2048, 2592x1944, 2592x1520, 2048x1536, 1920x1080, 1280x960, 1280x720, 704x576) 50Hz: 25fps@(3840x2160, 3072x2048, 2592x1944, 2592x1520, 2048x1536, 1920x1080, 1280x960, 1280x720, 704x576)
	Secondary Stream	60Hz: 30fps@(704x576, 640x480, 640x360, 352x288, 320x240, 320x192) 50Hz: 25fps@(704x576, 640x480, 640x360, 352x288, 320x240, 320x192)
	Tertiary Stream	60Hz: 30fps@(1280x720, 704x576, 640x480, 640x360, 352x288, 320x240, 320x192) 50Hz: 25fps@(1280x720, 704x576, 640x480, 640x360, 352x288, 320x240, 320x192)
	Video Compression	H.265+/H.265(HEVC)/H.264+/H.264/MJPEG
	Video Bit Rate	16Kbps~16Mbps(CBR/VBR Adjustable)
	Privacy Masking	Up to 24 areas
	ROI	Up to 8 areas
	Image Setting	Brightness/Contrast/Saturation/Sharpness
INTERFACE	Ethernet	1*RJ45 10M/100M Ethernet Port
	Audio I/O	Built-in Microphone and 1 Audio Output interface
	Alarm I/O	1/1
NETWORK	Network Storage	NAS(Support NFS, SMB/CIFS), ANR
	Protocol	IPv4/IPv6, ARP, TCP, UDP, RTCP, RTP, RTSP, RTMP, HTTP, HTTPS, DNS, DDNS, DHCP, FTP, NTP, SMTP, UPnP, Bonjour, SIP, SNMP, PPPoE, VLAN, 802.1x, QoS, IGMP, ICMP, SSL
AUDIO	Audio Compression	G.711/AAC/G.722/G.726
	Audio Sampling Rate	8/16/32/44.1/48KHz
	Audio Bit Rate	16~256kbps
	Two-way Audio	Support
INTELLIGENT ANALYTICS	Video Analysis	Region Entrance, Region Exiting, Advanced Motion Detection, Tamper Detection, Line Crossing, Loitering, Object Left, Object Removed
	Face Detection	Detect and capture faces, get real-time snapshots
	People Counting & Report	Count the number of people entering or exiting, up to 4 detection areas for regional people counting
SYSTEM	Storage	Support microSD/SDHC/SDXC Card Local Storage, up to 256G
	Advanced Function	BLC, HLC, 2D DNR, 3D DNR, Defog, AWB, EIS, IP Address Filtering, AGC, Anti-flicker, Corridor Mode, Deblur, Watermark
	SIP/VoIP Support	Yes, Voice & Video-over-IP
	Event Trigger	Motion Detection, Network Disconnection, Audio Alarm, External Input, etc.
	Event Action	FTP Upload, SMTP Upload, SD Card Record, SIP Phone, HTTP Notification, etc.
	System Compatibility	ONVIF Profile G & Q & S & T, API
GENERAL	Working Temperature	-40°C~60°C
	Working Humidity	0~90%(Non-condensing)
	Power Supply	PoE (802.3af) / DC 12V±10%
	Power Consumption	9W MAX / 12W MAX (With IR on)
	Weather Proof	Up to IP67-rated for Weather-resistant Performance
	Housing	Vandal-proof IK10-rated Metal Housing
	Weight	1100g
	Dimensions	Φ143mmX108.4mm
	Warranty	3/5 Years
OPTIONS	TA-K88172-FIPA	4K AI Motorized Dome IP Camera P-Iris supported
	TA-K88272-FIPA	4K AI Motorized Dome IP Camera P-Iris supported



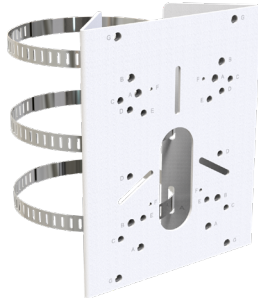
Structure Diagram:



Accessories:

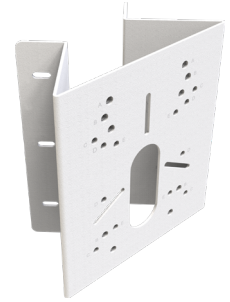
T01
POLE MOUNT

Weight: 720g
Dimensions:
170*51.5*152.6mm



T03
EXTERNAL CORNER BRACKET

Weight: 900g
Dimensions:
170*152.5*76.3mm



T72
WALL MOUNT

Weight: 560g
Dimensions: 240*160*136mm



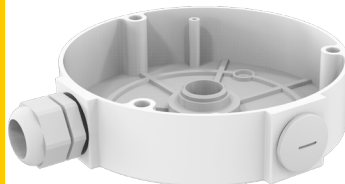
TA-72
SMOKED DOME COVER

Optional for Lens
Concealment



T75
JUNCTION BOX

Weight: 200g
Dimensions:
145*167*33.5mm



T76
PENDANT MOUNT

Weight: 620g
Dimensions: 136*300mm



T76-L
EXTENSION LEVER

Weight: 315g
Dimensions: 34*300mm



T78
RECESSED MOUNT

Weight: 715g
Dimensions: 256*256*94mm

