

# AI Motorized Dome IP Camera

5MP • AI • 120dB Super WDR • 0.008Lux Low-light • IP67 • IK10 • Smart IR II • 90m IR Distance • PoE • 1/1.8" STARVIS Starlight Sensor



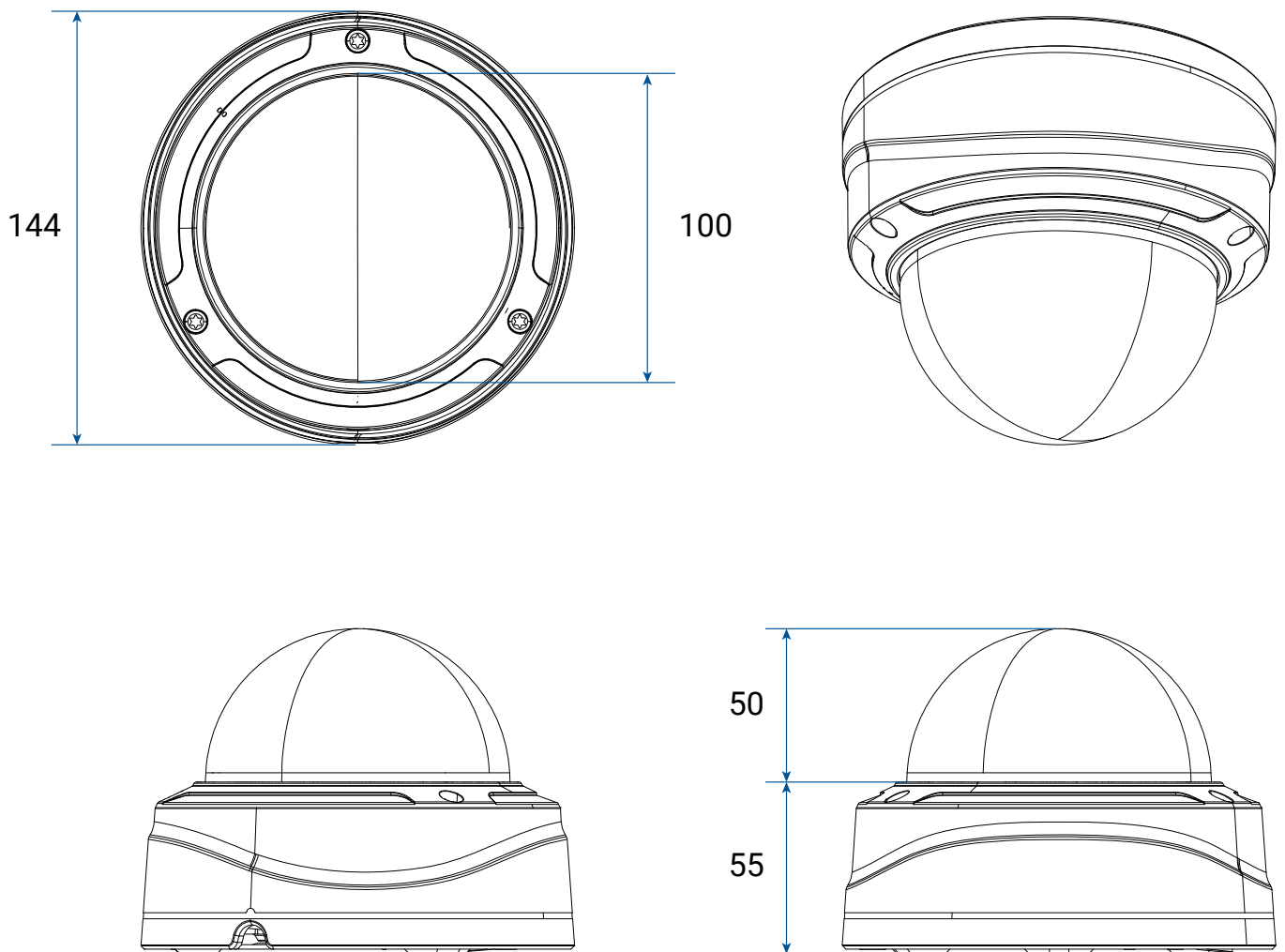
MODEL		TA-K55372-FPK
CAMERA	Image Sensor	1/2.8" Progressive Scan CMOS Sensor
	Minimum Illumination	Colour: 0.008Lux @F1.4 B/W: 0Lux with IR on
	WDR	120dB Super WDR
	Shutter Time	1/100000s~1s
	IR Distance	Up to 50m (3.0~10.5mm/2.7~13.5mm) / Up to 90m(7~22mm)
	Day/Night Mode	Day/Night/Auto/Customize/Schedule
	S/N Ratio	>55dB

LENS	Lens	Motorized 2.7~13.5mm/3.0~10.5mm/7~22mm@F1.4 P-Iris(Optional)
	Field of View	H100°~H32°/D125°~D40°/V74°~V24°(2.7~13.5mm) H90°~H31°/D114°~D38°/V67°~V23°(3.0~10.5mm) H37°~H15°/D47°~D19°/V28°~V11°(7~22mm)
	Mount	Φ14
	Focus Control	Auto/Manual
	Iris Control (Optional for I Series)	Auto/Manual
VIDEO	Maximum Image Resolution	2592x1944
	Primary Stream	60Hz: 30fps@(2592x1944), 45fps@(2048x1536), 60fps@(1920x1080, 1280x960, 1280x720, 704x576) 50Hz: 25fps@(2592x1944), 45fps@(2048x1536), 50fps@(1920x1080, 1280x960, 1280x720, 704x576)
	Secondary Stream	60Hz: 30fps@(704x576, 640x480, 640x360, 352x288, 320x240, 320x192, 320x180) 50Hz: 25fps@(704x576, 640x480, 640x360, 352x288, 320x240, 320x192, 320x180)
	Tertiary Stream	60Hz: 30fps@(1920x1080, 1280x720, 704x576, 640x480, 640x360, 320x240, 320x192, 320x180) 50Hz: 25fps@(1920x1080, 1280x720, 704x576, 640x480, 640x360, 320x240, 320x192, 320x180)
	Video Compression	H.265+/H.265(HEVC)/H.264+/H.264/MJPEG
	Video Bit Rate	16Kbps~16Mbps(CBR/VBR Adjustable)
	Privacy Masking	Up to 28 areas(24 mask areas and 4 mosaic areas)
	ROI	Up to 8 areas
	Image Setting	Brightness/Contrast/Saturation/Sharpness
INTERFACE	Ethernet	1*RJ45 10M/100M Ethernet Port
	Audio I/O	Built-in Microphone and 1 Audio Output interface
	Alarm I/O	1/1
NETWORK	Network Storage	NAS(Support NFS, SMB/CIFS), ANR
	Protocol	IPv4/IPv6, ARP, TCP, UDP, RTCP, RTP, RTSP, RTMP, HTTP, HTTPS, DNS, DDNS, DHCP, FTP, NTP, SMTP, SNMP, UPnP, Bonjour, SIP, PPPoE, VLAN, 802.1x, QoS, IGMP, ICMP, SSL
AUDIO	Audio Compression	G.711/AAC/G.722/G.726
	Audio Sampling Rate	8/16/32/44.1/48KHz
	Audio Bit Rate	16~256kbps
	Two-way Audio	Support
INTELLIGENT ANALYTICS	Video Analysis	Region Entrance, Region Exiting, Advanced Motion Detection, Tamper Detection, Line Crossing, Loitering, Object Left, Object Removed
	Face Detection	Detect and capture faces, get real-time snapshots
	People Counting & Report	Count the number of people entering or exiting, up to 4 detection areas for regional people counting
SYSTEM	Storage	Support microSD/SDHC/SDXC Card Local Storage, up to 256G
	Advanced Function	Heat Map, BLC, HLC, 2D DNR, 3D DNR, Defog, AWB, EIS, IP Address Filtering, AGC, Anti-flicker, Corridor Mode, Deblur, Watermark
	SIP/VoIP Support	Yes, Voice & Video-over-IP
	Event Trigger	Motion Detection, Network Disconnection, Audio Alarm, External Input, etc.
	Event Action	FTP Upload, SMTP Upload, SD Card Record, SIP Phone, HTTP Notification, etc.
	System Compatibility	ONVIF Profile G & Q & S & T, API



GENERAL	Working Temperature	-40°C~60°C
	Working Humidity	0~90%(Non-condensing)
	Power Supply	PoE (802.3af) / DC 12V±10%
	Power Consumption	8W MAX / 10W MAX (With IR on)
	Housing	Vandal-proof IK10-rated Metal Housing / Up to IP67-rated for Weather-resistant Performance
	Weight	1100g
	Dimensions	Φ143mmX108.4mm
	Warranty	3/5 Years
OPTIONS	TA-K55372-FIPK	5MP AI Motorized Dome IP Camera P-Iris supported

### Structure Diagram:

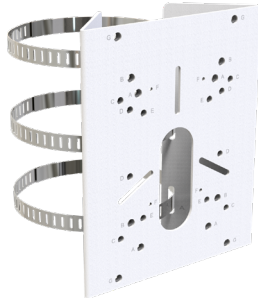




## Accessories:

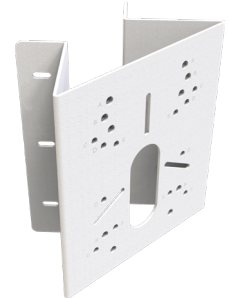
**T01**  
POLE MOUNT

Weight: 720g  
Dimensions:  
170\*51.5\*152.6mm



**T03**  
EXTERNAL CORNER BRACKET

Weight: 900g  
Dimensions:  
170\*152.5\*76.3mm



**T72**  
WALL MOUNT

Weight: 560g  
Dimensions: 240\*160\*136mm



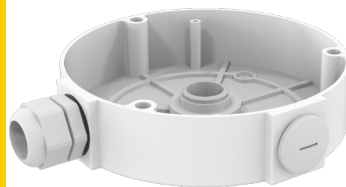
**TA-72**  
SMOKED DOME COVER

Optional for Lens  
Concealment



**T75**  
JUNCTION BOX

Weight: 200g  
Dimensions:  
145\*167\*33.5mm



**T76**  
PENDANT MOUNT

Weight: 620g  
Dimensions: 136\*300mm



**T76-L**  
EXTENSION LEVER

Weight: 315g  
Dimensions: 34\*300mm



**T78**  
RECESSED MOUNT

Weight: 715g  
Dimensions: 256\*256\*94mm

