

AI Vandal Proof Dome IP Camera

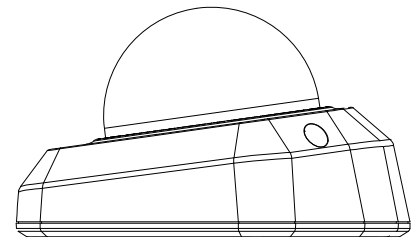
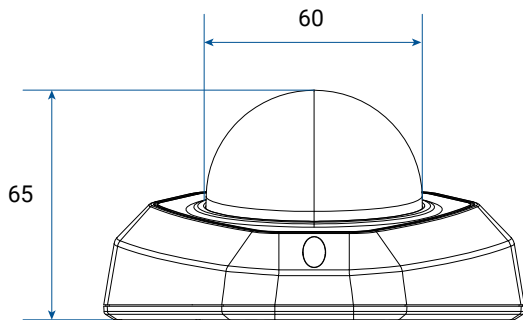
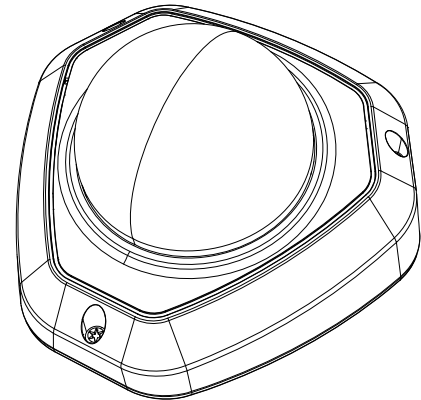
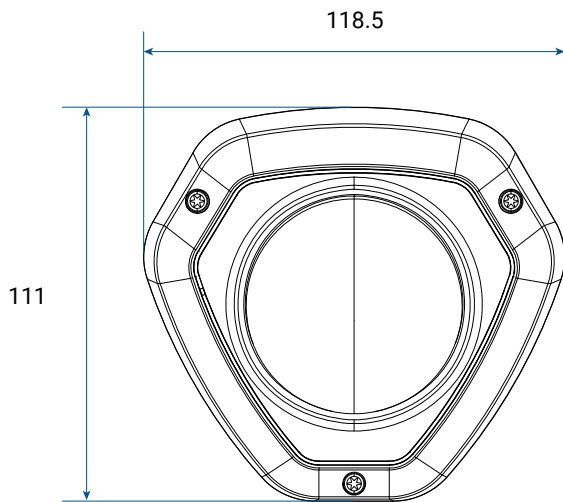
2/5MP • AI • 140dB WDR • 0.005Lux Ultra Low-light • EN50155 • IP67 • IK10 • 30m IR Distance • 60fps



MODEL		TA-K22973-RPK (2MP)	TA-K55373-PK (5MP)
CAMERA	Image Sensor	1/2.8" Progressive Scan CMOS Sensor	
	Minimum Illumination	Colour: 0.005Lux @F1.6 B/W: 0Lux with IR on	Colour: 0.008Lux@F1.6 B/W: 0Lux with IR on
	WDR	140dB Super WDR	120dB Super WDR
	Lens	2.8mm/4mm/6mm@F1.6	
	Mount	M12	
	Field of View	H111°/D128°/V61°(2.8mm) H91°/D106°/V50°(4mm) H55°/D63°/V32°(6mm)	H105°/D131°/V78°(2.8mm) H86°/D108°/V63°(4mm) H52°/D63°/V40°(6mm)
	Shutter Time	1/100000s~1s	
	IR Distance	Up to 30m	
	Day/Night Mode	Day/Night/Auto/Customize/Schedule	
	S/N Ratio	>55dB	
VIDEO	Maximum Image Resolution	1920x1080	2592x1944

VIDEO	Primary Stream	60Hz: 60fps@(1920x1080, 1280x960, 1280x720, 704x576) 50Hz: 50fps@(1920x1080, 1280x960, 1280x720, 704x576)	60Hz: 30fps@ (2592x1944), 45fps@ (2048x1536), 60fps@ (1920x1080, 1280x960, 1280x720, 704x576) 50Hz: 25fps@ (2592x1944), 45fps@ (2048x1536), 50fps@ (1920x1080, 1280x960, 1280x720, 704x576)
	Secondary Stream	60Hz: 60fps@(704x576, 640x480, 640x360, 352x288, 320x240, 320x192, 320x180) 50Hz: 50fps@(704x576, 640x480, 640x360, 352x288, 320x240, 320x192, 320x180)	60Hz: 30fps@(704x576, 640x480, 640x360, 352x288, 320x240, 320x192, 320x180) 50Hz: 25fps@(704x576, 640x480, 640x360, 352x288, 320x240, 320x192, 320x180)
	Tertiary Stream	60Hz: 30fps@(1920x1080, 1280x720, 704x576, 640x480, 640x360, 320x240, 320x192, 320x180) 50Hz: 25fps@(1920x1080, 1280x720, 704x576, 640x480, 640x360, 320x240, 320x192, 320x180)	
	Video Compression	H.265+/H.265(HEVC)/H.264+/H.264/MJPEG	
	Video Bit Rate	16Kbps~16Mbps(CBR/VBR Adjustable)	
	Privacy Masking	Up to 28 areas(24 mask areas and 4 mosaic areas)	
	ROI	Up to 8 areas	
	Image Setting	Brightness/Contrast/Saturation/Sharpness	
INTERFACE	Ethernet	1*RJ45 10M/100M Ethernet Port	
	Audio I/O	Built-in Microphone; 1/1 (Multi-interface Version)	
	Alarm I/O	1/1 (Multi-interface Version)	
NETWORK	Network Storage	NAS(Support NFS, SMB/CIFS), ANR	
	Protocol	IPv4/IPv6, ARP, TCP, UDP, RTCP, RTP, RTSP, RTMP, HTTP, HTTPS, DNS, DDNS, DHCP, FTP, NTP, SMTP, SNMP, UPnP, Bonjour, SIP, PPPoE, VLAN, 802.1x, QoS, IGMP, ICMP, SSL	
AUDIO	Audio Compression	G.711/AAC/G.722/G.726	
	Audio Sampling Rate	8/16/32/44.1/48KHz	
	Audio Bit Rate	16~256kbps	
	Two-way Audio	Support	
INTELLIGENT ANALYTICS	Video Analysis	Region Entrance, Region Exiting, Advanced Motion Detection, Tamper Detection, Line Crossing, Loitering, Object Left, Object Removed	
	Face Detection	Detect and capture faces, get real-time snapshots	
	People Counting & Report	Count the number of people entering or exiting, up to 4 detection areas for regional people counting	
SYSTEM	Storage	Support microSD/SDHC/SDXC Card Local Storage, up to 256G	
	Advanced Function	Heat Map, BLC, HLC, 2D DNR, 3D DNR, Defog, AWB, EIS, IP Address Filtering, AGC, Anti-flicker, Corridor Mode, Deblur, Watermark	
	SIP/VoIP Support	Yes, Voice & Video-over-IP	
	Event Trigger	Motion Detection, Network Disconnection, Audio Alarm, etc.; Motion Detection, Network Disconnection, External Input, Audio Alarm, etc. (Multi-interface Version)	
	Event Action	FTP Upload, SMTP Upload, SD Card Record, SIP Phone, HTTP Notification, etc.; FTP Upload, SMTP Upload, SD Card Record, External Output, SIP Phone, HTTP Notification, etc. (Multi-interface Version)	
	System Compatibility	ONVIF Profile G & Q & S & T, API	
GENERAL	Working Temp.	-40°C~60°C	
	Working Humidity	0~90%(Non-condensing)	
	Power Supply	PoE (802.3af); PoE (802.3af) / DC 12V±10% (Multi-interface Version)	
	Power Consumption	5W MAX / 6W MAX (With IR on)	6W MAX / 7W MAX (With IR on)
	Weather Proof	Up to IP67-rated for Weather-resistant Performance	
	Housing	Vandal-proof IK10-rated Metal Housing	
	EN50155	Support	
	Weight	500g	
	Dimensions	118.5mmX110.8mmX65mm	
	Warranty	3/5 Years	

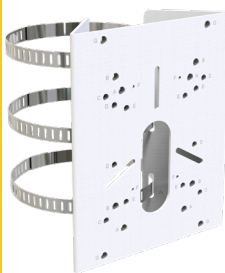
Structure Diagram:



Accessories:

T01
POLE MOUNT

Weight: 720g
Dimensions:
170*51.5*152.6mm



T03
EXTERNAL CORNER BRACKET

Weight: 900g
Dimensions:
170*152.5*76.3mm



T71
WALL MOUNT

Weight: 530g
Dimensions:
162*124*78mm



T73
ADAPTOR PLATE

Weight: 28g
Dimensions:
115*122.5*10mm



T74
JUNCTION BOX

Weight: 60g
Dimensions:
121.5*116.5*37.2mm

