

# AI Motorized Dome IP Camera

2MP • AI • 120dB Super WDR • 0.005Lux Ultra Low-light • IP67 • IK10 • Smart IR II • 90m IR Distance • PoE • 90fps



MODEL		TA-K22972-FPD	TA-K22972-RFPA
CAMERA	Image Sensor	1/2.8" Progressive Scan CMOS Sensor	
	Minimum Illumination	Colour: 0.005Lux@F1.4 B/W: 0Lux with IR on	
	WDR	120dB Super WDR	
	Shutter Time	1/100000s~1s	
	IR Distance	Up to 50m	Up to 50m(3.0~10.5mm/2.7~13.5mm) Up to 90m(7~22mm)
	Day/Night Mode	Day/Night/Auto/Customize/Schedule	
	S/N Ratio	>55dB	
LENS	Lens	Motorized 2.7~13.5mm/7~22mm@F1.4	Motorized 2.7~13.5mm/ 3.0~10.5mm/7~22mm@F1.4 P-Iris(Optional)
	Field of View	H115°~H34°/D135°~D39°/V62°~V19° (2.7~13.5mm), H44°~H17°/D51°~D19°/V24°~V9° (7~22mm)	H115°~H34°/D135°~D39°/V62°~V19° (2.7~13.5mm) H102°~H34°/D118°~D38°/V56°~V19° (3.0~10.5mm) H44°~H17°/D51°~D19°/V24°~V9° (7~22mm)
	Mount	Φ14	
	Focus Control	Auto/Manual	
	Iris Control (Optional for I Series)	Auto/Manual	

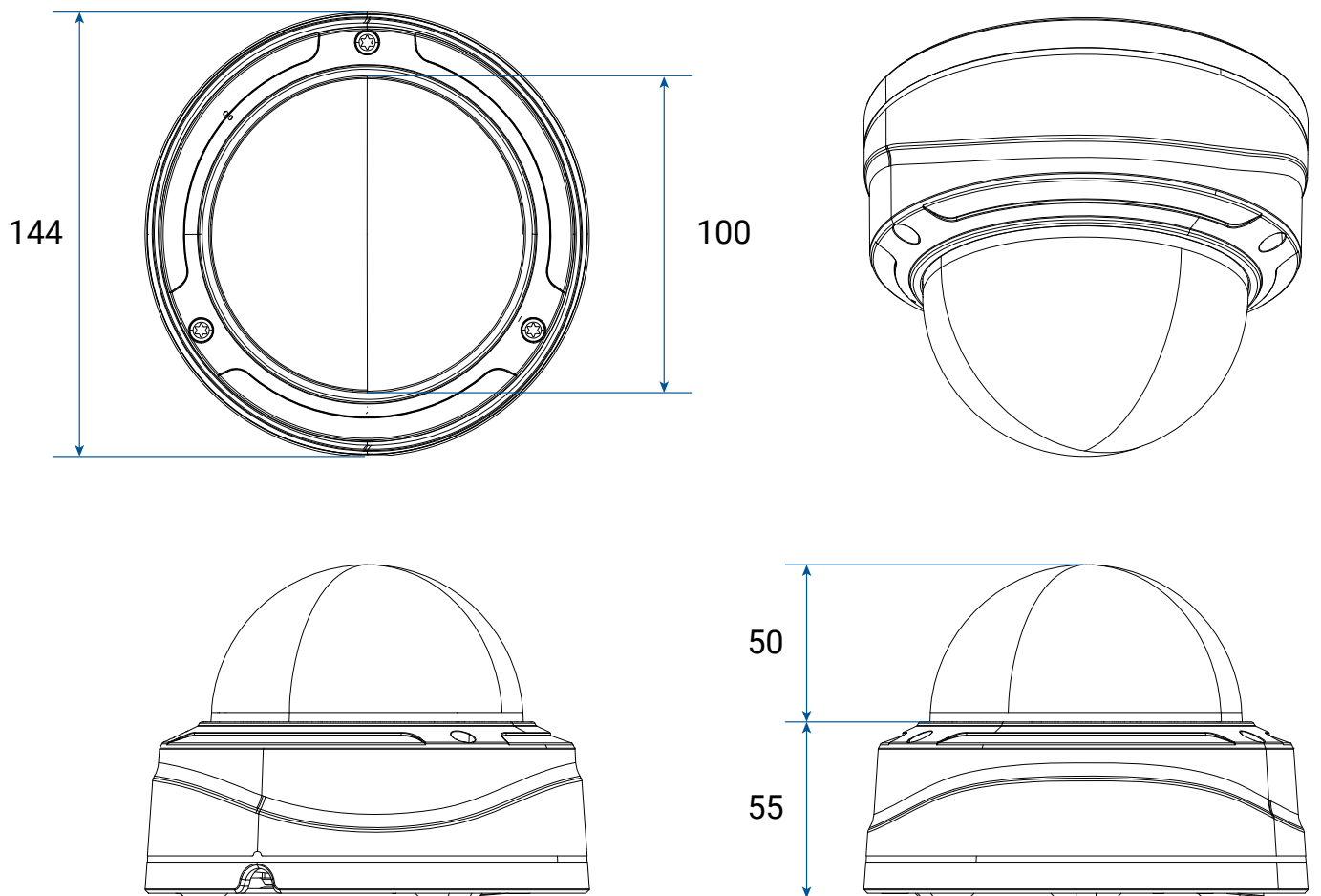
VIDEO	Maximum Image Resolution	1920x1080	
	Primary Stream	60Hz: 30fps@(1920x1080, 1280x960, 1280x720, 704x576) 50Hz: 25fps@(1920x1080, 1280x960, 1280x720, 704x576)	60Hz: 90fps@(1920x1080)(Optional for T Series), 60fps@(1920x1080, 1280x960, 1280x720, 704x576) 50Hz: 90fps@(1920x1080)(Optional for T Series), 50fps@(1920x1080, 1280x960, 1280x720, 704x576)
	Secondary Stream	60Hz: 30fps@(704x576, 640x480, 640x360, 352x288) 50Hz: 25fps@(704x576, 640x480, 640x360, 352x288)	60Hz: 90fps@(704x576)(Optional for T Series), 60fps@(704x576, 640x480, 640x360, 352x288, 320x240, 320x192) 50Hz: 90fps@(704x576)(Optional for T Series), 50fps@(704x576, 640x480, 640x360, 352x288, 320x240, 320x192)
	Tertiary Stream	60Hz: 30fps@(1280x720, 704x576, 640x480, 640x360, 352x288) 50Hz: 25fps@(1280x720, 704x576, 640x480, 640x360, 352x288)	60Hz: 30fps@(1280x720, 704x576, 640x480, 640x360, 352x288, 320x240, 320x192) 50Hz: 25fps@(1280x720, 704x576, 640x480, 640x360, 352x288, 320x240, 320x192)
	Video Compression	H.265+/H.265(HEVC)/H.264+/H.264/MJPEG	
	Video Bit Rate	16Kbps~16Mbps(CBR/VBR Adjustable)	
	Privacy Masking	Up to 4 areas	Up to 24 areas
	ROI	Up to 8 areas	
	Image Setting	Brightness/Contrast/Saturation/Sharpness	
INTERFACE	Ethernet	1*RJ45 10M/100M Ethernet Port	
	Audio I/O	1/1	Built-in Microphone and 1 Audio Output interface
	Alarm I/O	1/1	
NETWORK	Network Storage	NAS(Support NFS, SMB/CIFS), ANR	
	Protocol	IPv4/IPv6, ARP, TCP, UDP, RTCP, RTP, RTSP, RTMP, HTTP, HTTPS, DNS, DDNS, DHCP, FTP, NTP, SMTP, SNMP, UPnP, Bonjour, SIP, PPPoE, VLAN, 802.1x, QoS, IGMP, ICMP, SSL	
AUDIO	Audio Compression	G.711/AAC/G.722/G.726	
	Audio Sampling Rate	8/16/32/48KHz	8/16/32/44.1/48KHz
	Audio Bit Rate	16~256kbps	
	Two-way Audio	Support	
INTELLIGENT ANALYTICS	Video Analysis	Region Entrance, Region Exiting, Advanced Motion Detection, Tamper Detection, Line Crossing, Loitering, Object Left, Object Removed	
	People Counting & Report	-	Count the number of people entering or exiting, up to 4 detection areas for regional people counting
SYSTEM	Storage	Support microSD/SDHC/SDXC Card Local Storage, up to 256G	
	Advanced Function	BLC, HLC, 2D DNR, 3D DNR, AWB, Defog, IP Address Filtering, AGC, Anti-flicker, Corridor Mode, Deblur	
	SIP/VoIP Support	Yes, Voice & Video-over-IP	
	Event Trigger	Motion Detection, Network Disconnection, Audio Alarm, External Input, etc.	
	Event Action	FTP Upload, SMTP Upload, SD Card Record, External Output, SIP Phone, HTTP Notification, etc.	
	System Compatibility	ONVIF Profile G & Q & S & T, API	



GENERAL	Working Temperature	-40°C~60°C
	Working Humidity	0~90%(Non-condensing)
	Power Supply	PoE (802.3af) / DC 12V±10%
	Power Consumption	4W MAX / 8W MAX (With IR on)                      8W MAX / 11W MAX (With IR on)
	Weather Proof	Up to IP67-rated for Weather-resistant Performance
	Housing	Vandal-proof IK10-rated Metal Housing
	Weight	1100g
	Dimensions	Φ143mmX108.4mm
	Warranty	3/5 Years

OPTIONS	TA-K22972-RTFPA	2MP AI Motorized Dome IP Camera Primary stream – 90fps
	TA-K22972-RFIPA	2MP AI Motorized Dome IP Camera P-Iris supported
	TA-K22972-RTFIPA	2MP AI Motorized Dome IP Camera Primary stream – 90fps P-Iris supported

Structure Diagram:



## Accessories:

<p>T01 POLE MOUNT</p>		<p>T03 EXTERNAL CORNER BRACKET</p>	
<p>Weight: 720g Dimensions: 170*51.5*152.6mm</p>	<p>Weight: 900g Dimensions: 170*152.5*76.3mm</p>	<p>Weight: 900g Dimensions: 170*152.5*76.3mm</p>	<p>TA-72 SMOKED DOME COVER</p>
<p>T72 WALL MOUNT</p>		<p>Optional for Lens Concealment</p>	
<p>Weight: 560g Dimensions: 240*160*136mm</p>	<p>Weight: 620g Dimensions: 136*300mm</p>	<p>Weight: 620g Dimensions: 136*300mm</p>	<p>T76 PENDANT MOUNT</p>
<p>T75 JUNCTION BOX</p>		<p>Weight: 620g Dimensions: 136*300mm</p>	
<p>Weight: 200g Dimensions: 145*167*33.5mm</p>	<p>Weight: 620g Dimensions: 136*300mm</p>	<p>Weight: 620g Dimensions: 136*300mm</p>	<p>T78 RECESSED MOUNT</p>
<p>T76-L EXTENSION LEVER</p>		<p>Weight: 715g Dimensions: 256*256*94mm</p>	
<p>Weight: 315g Dimensions: 34*300mm</p>	<p>Weight: 715g Dimensions: 256*256*94mm</p>	<p>Weight: 715g Dimensions: 256*256*94mm</p>	