

AI Motorized Mini Bullet IP Camera

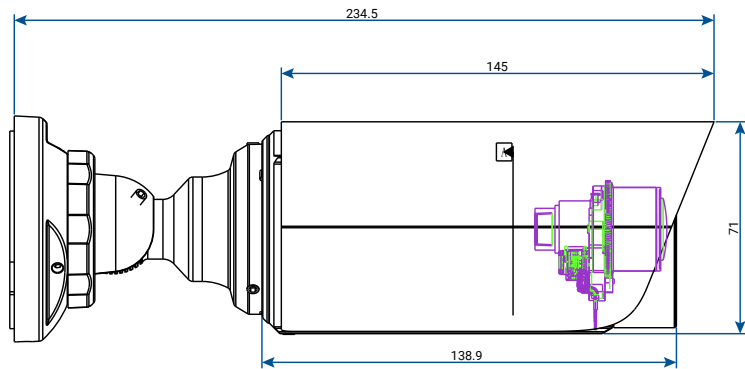
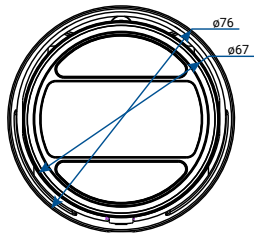
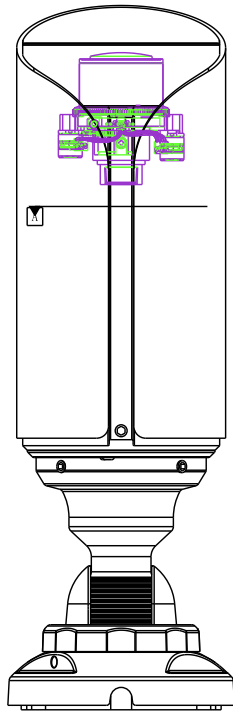
2MP/5MP • AI • 120dB Super WDR • 0.005Lux Ultra Low-light • 60fps • IP67 • IK10 • Smart IR II • 50m IR Distance • PoE



MODEL		TA-K22964-RFPA (2MP)	TA-K55364-FPA (5MP)
CAMERA	Image Sensor	1/2.8" Progressive Scan CMOS Sensor	
	Minimum Illumination	Colour: 0.005Lux @F1.4 B/W: 0Lux with IR on	Colour: 0.008Lux @F1.4 B/W: 0Lux with IR on
	WDR	120dB Super WDR	
	Shutter Time	1/100000s~1s	
	IR Distance	Up to 50m	
	Day/Night Mode	Day/Night/Auto/Customize/Schedule	
	S/N Ratio	>55dB	
LENS	Lens	Motorized 2.7~13.5mm/3.0~10.5mm /7~22mm@F1.4; P-Iris(Optional)	
	Field of View	H111°~H34°/D130°~D39°/V60°~V19° (2.7~13.5mm)	H99°~H31°/D124°~D38°/V72°~V23° (2.7~13.5mm)
		H100°~H33°/D115°~D38°/V54°~V18° (3.0~10.5mm)	H89°~H31°/D111°~D38°/V66°~V23° (3.0~10.5mm)
		H42°~H17°/D48°~D19°/V24°~V9° (7~22mm)	H37°~H15°/D46°~D19°/V28°~V11° (7~22mm)
	Mount	Ø14	
Focus Control	Auto/Manual		
Iris Control(Optional for I Series)	Auto/Manual		

VIDEO	Maximum Image Resolution	1920x1080	2592x1944	
	Primary Stream	60Hz: 60fps@(1920x1080, 1280x960, 1280x720, 704x576) 50Hz: 50fps@(1920x1080, 1280x960, 1280x720, 704x576)	60Hz: 30fps@(2592x1944, 2592x1520, 2048x1536, 1920x1080, 1280x960, 1280x720, 704x576) 50Hz: 25fps@(2592x1944, 2592x1520, 2048x1536, 1920x1080, 1280x960, 1280x720, 704x576)	
	Secondary Stream	60Hz: 60fps@(704x576, 640x480, 640x360, 352x288, 320x240) 50Hz: 50fps@(704x576, 640x480, 640x360, 352x288, 320x240)	60Hz: 30fps@(704x576, 640x480, 640x360, 352x288, 320x240) 50Hz: 25fps@(704x576, 640x480, 640x360, 352x288, 320x240)	
	Tertiary Stream	60Hz: 30fps@(1280x720, 704x576, 640x480, 640x360, 352x288, 320x240) 50Hz: 25fps@(1280x720, 704x576, 640x480, 640x360, 352x288, 320x240)		
	Video Compression	H.265+/H.265(HEVC)/H.264+/H.264/MJPEG		
	Video Bit Rate	16Kbps~16Mbps(CBR/VBR Adjustable)		
	Privacy Masking	Up to 24 areas		
	ROI	Up to 8 areas		
	Image Setting	Brightness/Contrast/Saturation/Sharpness		
	INTERFACE	Ethernet	1*RJ45 10M/100M Ethernet Port	
Audio I/O		1/1 (Multi-interface Version)		
Alarm I/O		1/1 (Multi-interface Version)		
NETWORK	Network Storage	NAS(Support NFS, SMB/CIFS), ANR		
	Protocol	IPv4/IPv6, ARP, TCP, UDP, RTCP, RTP, RTSP, RTMP, HTTP, HTTPS, DNS, DDNS, DHCP, FTP, NTP, SMTP, SNMP, UPnP, Bonjour, SIP, PPPoE, VLAN, 802.1x, QoS, IGMP, ICMP, SSL		
AUDIO	Audio Compression	G.711/AAC/G.722/G.726		
	Audio Sampling Rate	8/16/32/44.1/48KHz		
	Audio Bit Rate	16~256kbps		
	Two-way Audio	Support		
INTELLIGENT ANALYTICS	Video Analysis	Region Entrance, Region Exiting, Advanced Motion Detection, Tamper Detection, Line Crossing, Loitering, Object Left, Object Removed		
	People Counting & Report	Count the number of people entering or exiting, up to 4 detection areas for regional people counting		
SYSTEM	Storage	Support microSD/SDHC/SDXC Card Local Storage, up to 256G		
	Advanced Function	Heat Map, BLC, HLC, 2D DNR, 3D DNR, AWB, IP Address Filtering, AGC, Anti-flicker, Corridor Mode, Deblur, Watermark		
	SIP/VoIP Support	Yes, Voice & Video-over-IP		
	Event Trigger	Motion Detection, Network Disconnection, etc.		
	Event Action	FTP Upload, SMTP Upload, SD Card Record, SIP Phone, HTTP Notification, etc.		
	System Compatibility	ONVIF Profile G & Q & S & T, API		
GENERAL	Working Temperature	-40°C~60°C		
	Working Humidity	0~90%(Non-condensing)		
	Power Supply	PoE (802.3af) / DC 12V±10%		
	Power Consumption	8W MAX / 10W MAX (With IR on)	8.5W MAX / 11W MAX (With IR on)	
	Weather Proof	Up to IP67-rated for Weather-resistant Performance		
	Housing	Vandal-proof IK10-rated Metal Housing		
	Surge Protection	2kV		
	Weight	825g		
	Dimensions	Φ76mmX239.5mm		
	Warranty	3/5 Years		
OPTIONS	TA-K22964-RFIPA	2MP Motorized Mini Bullet IP Camera with P – Iris Control		
	TA-K55364-FIPA	5MP Motorized Mini Bullet IP Camera with P – Iris Control		

Structure Diagram:



Accessories:

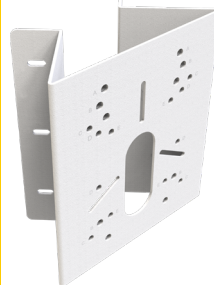
T01
POLE MOUNT

Weight: 720g
Dimensions:
170*51.5*152.6mm



T03
EXTERNAL CORNER BRACKET

Weight: 900g
Dimensions:
170*152.5*76.3mm



T63
JUNCTION BOX

Weight: 720g
Dimensions:
170*51.5*152.6mm

