

AI Motorized Dome IP Camera

2MP • AI • 3 in 1 Super WDR Pro • 0.002Lux Ultra Low-light • IP67 • IK10 • Smart IR II • 90m IR Distance • PoE • 100fps • 1/1.8" STARVIS Starlight Sensor



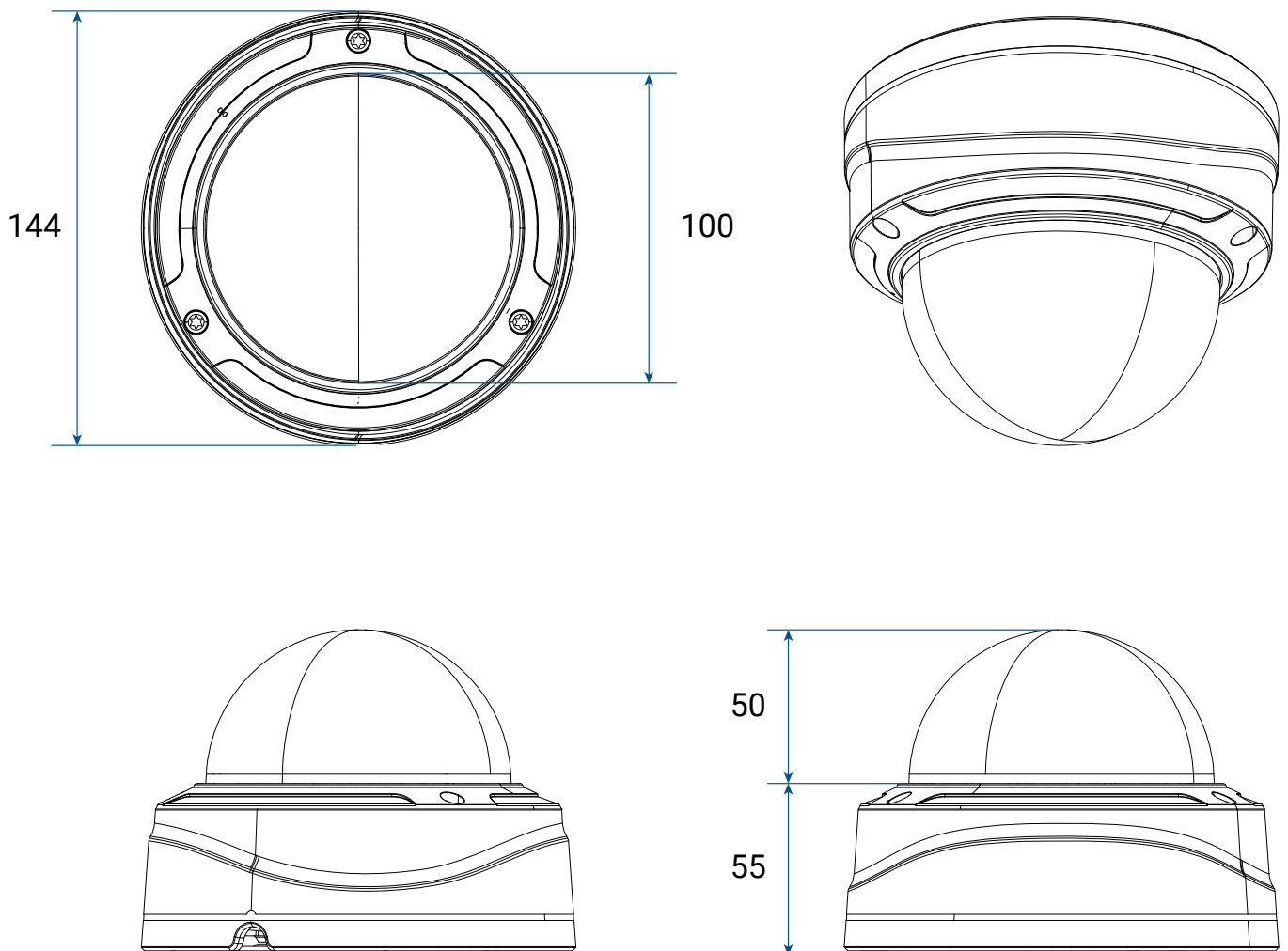
MODEL		TA-K22872-TFPK	TA-K22972-RFPK
CAMERA	Image Sensor	1/2" Progressive Scan CMOS Sensor	1/2.8" Progressive Scan CMOS Sensor
	Minimum Illumination	Colour: 0.002Lux @F1.4 B/W: 0Lux with IR on	Colour: 0.005Lux@F1.4 B/W: 0Lux with IR on
	WDR	140dB Super WDR Pro	140dB Super WDR (Super WDR Pro is optional for T Series)
	Shutter Time	1/100000s~1s	
	IR Distance	Up to 50m	Up to 50m (3.0~10.5mm/2.7~13.5mm) Up to 90m(7~22mm)
	Day/Night Mode	Day/Night/Auto/Customize/Schedule	
	S/N Ratio	>55dB	

LENS	Lens	Motorized 3.6~10mm@F1.4 P-Iris(Optional)	Motorized 2.7~13.5mm/ 3.0~10.5mm/7~22mm@F1.4 P-Iris(Optional)
	Field of View	H104°~H43°/D120°~D50°/ V59°~V24°	H115°~H34°/D135°~D39°/ V62°~V19° (2.7~13.5mm) H102°~H34°/D118°~D38°/ V56°~V19° (3.0~10.5m) H44°~H17°/D51°~D19°/ V24°~V9° (7~22mm)
	Mount	Ø14	
	Focus Control	Auto/Manual	
	Iris Control (Optional for I Series)	Auto/Manual	
VIDEO	Maximum Image Resolution	1920x1080	
	Primary Stream	60Hz: 100fps@(1920x1080) (Optional for T Series), 60fps@(1920x1080, 1280x960, 1280x720, 704x576) 50Hz: 100fps@(1920x1080) (Optional for T Series), 50fps@(1920x1080, 1280x960, 1280x720, 704x576)	
	Secondary Stream	60Hz: 60fps@(704x576, 640x480, 640x360, 352x288, 320x240, 320x192, 320x180) 50Hz: 50fps@(704x576, 640x480, 640x360, 352x288, 320x240, 320x192, 320x180)	
	Tertiary Stream	60Hz: 30fps@(1920x1080, 1280x720, 704x576, 640x480, 640x360, 320x240, 320x192, 320x180) 50Hz: 25fps@(1920x1080, 1280x720, 704x576, 640x480, 640x360, 320x240, 320x192, 320x180)	
	Video Compression	H.265+/H.265(HEVC)/H.264+/H.264/MJPEG	
	Video Bit Rate	16Kbps~16Mbps(CBR/VBR Adjustable)	
	Privacy Masking	Up to 28 areas(24 mask areas and 4 mosaic areas)	
	ROI	Up to 8 areas	
	Image Setting	Brightness/Contrast/Saturation/Sharpness	
INTERFACE	Ethernet	1*RJ45 10M/100M Ethernet Port	
	Audio I/O	Built-in Microphone and 1 Audio Output interface	
	Alarm I/O	1/1	
NETWORK	Network Storage	NAS(Support NFS, SMB/CIFS), ANR	
	Protocol	IPv4/IPv6, ARP, TCP, UDP, RTCP, RTP, RTSP, RTMP, HTTP, HTTPS, DNS, DDNS, DHCP, FTP, NTP, SMTP, SNMP, UPnP, Bonjour, SIP, PPPoE, VLAN, 802.1x, QoS, IGMP, ICMP, SSL	
AUDIO	Audio Compression	G.711/AAC/G.722/G.726	
	Audio Sampling Rate	8/16/32/44.1/48KHz	
	Audio Bit Rate	16~256kbps	
	Two-way Audio	Support	
INTELLIGENT ANALYTICS	Video Analysis	Region Entrance, Region Exiting, Advanced Motion Detection, Tamper Detection, Line Crossing, Loitering, Object Left, Object Removed	
	Face Detection	Detect and capture faces, get real-time snapshots	
	People Counting & Report	Count the number of people entering or exiting, up to 4 detection areas for regional people counting	
SYSTEM	Storage	Support microSD/SDHC/SDXC Card Local Storage, up to 256G	
	Advanced Function	Heat Map, BLC, HLC, 2D DNR, 3D DNR, Defog, AWB, EIS, IP Address Filtering, AGC, Anti-flicker, Corridor Mode, Deblur, Watermark	
	SIP/VoIP Support	Yes, Voice & Video-over-IP	
	Event Trigger	Motion Detection, Network Disconnect, Audio Alarm, External Input, etc.	
	Event Action	FTP Upload, SMTP Upload, SD Card Record, SIP Phone, HTTP Notification, etc.	
	System Compatibility	ONVIF Profile G & Q & S & T, API	



GENERAL	Working Temperature	-40°C~60°C
	Working Humidity	0~90%(Non-condensing)
	Power Supply	PoE (802.3af) / DC 12V±10%
	Power Consumption	8W MAX / 10W MAX (With IR on)
	Housing	Vandal-proof IK10-rated Metal Housing / Up to IP67-rated for Weather-resistant Performance
	Weight	1100g
	Dimensions	Φ143mmX108.4mm
	Warranty	3/5 Years
OPTIONS	TA-K22872-TFIPK	2MP AI Motorized Dome IP Camera P-Iris Supported
	TA-K22972-RTFPK	2MP AI Motorized Dome IP Camera Primary Stream – 100fps
	TA-K22972-RFIPK	2MP AI Motorized Dome IP Camera P-Iris Supported
	TA-K22972-RTFIPK	2MP AI Motorized Dome IP Camera Primary Stream – 100fps P-Iris Supported

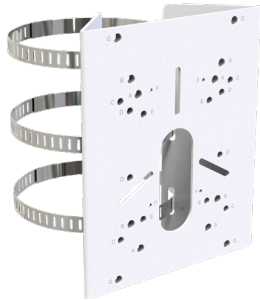
Structure Diagram:



Accessories:

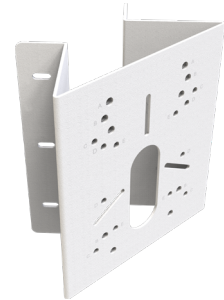
T01
POLE MOUNT

Weight: 720g
Dimensions:
170*51.5*152.6mm



T03
EXTERNAL CORNER BRACKET

Weight: 900g
Dimensions:
170*152.5*76.3mm



T72
WALL MOUNT

Weight: 560g
Dimensions: 240*160*136mm



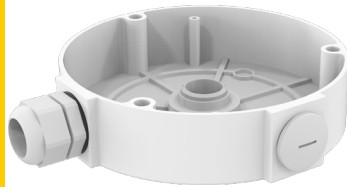
TA-72
SMOKED DOME COVER

Optional for Lens
Concealment



T75
JUNCTION BOX

Weight: 200g
Dimensions:
145*167*33.5mm



T76
PENDANT MOUNT

Weight: 620g
Dimensions: 136*300mm



T76-L
EXTENSION LEVER

Weight: 315g
Dimensions: 34*300mm



T78
RECESSED MOUNT

Weight: 715g
Dimensions: 256*256*94mm

