

# AI Motorized Dome IP Camera

2/5MP • AI • 120dB Super WDR • 0.002Lux Ultra Low-light • IP67 • IK10 • Smart IR II • 90m IR Distance • PoE • 90fps • 1/1.8" STARVIS Starlight Sensor



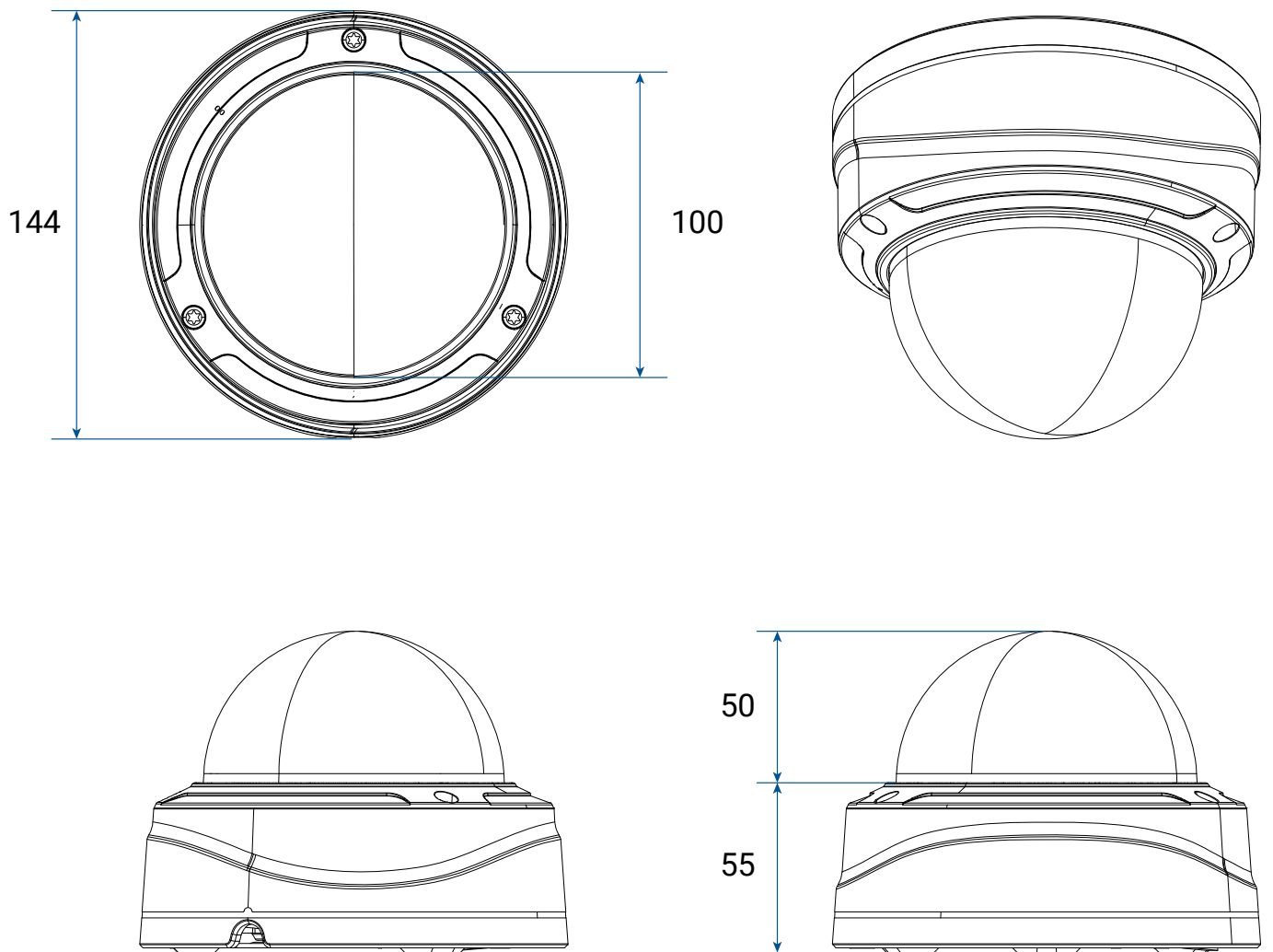
MODEL		TA-K22872-RFPA	TA-K55372-FPA
CAMERA	Image Sensor	1/2" Progressive Scan CMOS Sensor	1/2.8" Progressive Scan CMOS Sensor
	Minimum Illumination	Colour: 0.002Lux @F1.4 B/W: 0Lux with IR on	Colour: 0.008Lux@F1.4 B/W: 0Lux with IR on
	WDR	120dB Super WDR	
	Shutter Time	1/100000s~1s	
	IR Distance	Up to 50m	Up to 50m (3.0~10.5mm/2.7~13.5mm) Up to 90m(7~22mm)
	Day/Night Mode	Day/Night/Auto/Customize/Schedule	
	S/N Ratio	>55dB	
LENS	Lens	Motorized 3.6~10mm@F1.4 P-Iris(Optional)	Motorized 2.7~13.5mm/ 3.0~10.5mm/7~22mm@F1.4 P-Iris(Optional)
	Field of View	H104°~H43°/D120°~D50°/V59°~V24°	H100°~H32°/D125°~D40°/V74°~V24° (2.7~13.5mm) H90°~H31°/D114°~D38°/V67°~V23° (3.0~10.5mm) H37°~H15°/D47°~D19°/V28°~V11° (7~22mm)
	Mount	Φ14	
	Focus Control	Auto/Manual	
	Iris Control (Optional for I Series)	Auto/Manual	

VIDEO	Maximum Image Resolution	1920x1080	2592x1944	
	Primary Stream	60Hz: 90fps@(1920x1080)(Optional for T Series), 60fps@(1920x1080, 1280x960, 1280x720, 704x576) 50Hz: 90fps@(1920x1080)(Optional for T Series), 50fps@(1920x1080, 1280x960, 1280x720, 704x576)	60Hz: 30fps@(2592x1944, 2592x1520, 2048x1536, 1920x1080, 1280x960, 1280x720, 704x576) 50Hz: 25fps@(2592x1944, 2592x1520, 2048x1536, 1920x1080, 1280x960, 1280x720, 704x576)	
	Secondary Stream	60Hz: 90fps@(704x576)(Optional for T Series), 60fps@(704x576, 640x480, 640x360, 352x288, 320x240, 320x192) 50Hz: 90fps@(704x576)(Optional for T Series), 50fps@(704x576, 640x480, 640x360, 352x288, 320x240, 320x192)	60Hz: 30fps@(704x576, 640x480, 640x360, 352x288, 320x240, 320x192) 50Hz: 25fps@(704x576, 640x480, 640x360, 352x288, 320x240, 320x192)	
	Tertiary Stream	60Hz: 30fps@(1280x720, 704x576, 640x480, 640x360, 352x288, 320x240, 320x192) 50Hz: 25fps@(1280x720, 704x576, 640x480, 640x360, 352x288, 320x240, 320x192)		
	Video Compression	H.265+/H.265(HEVC)/H.264+/H.264/MJPEG		
	Video Bit Rate	16Kbps~16Mbps(CBR/VBR Adjustable)		
	Privacy Masking	Up to 24 areas		
	ROI	Up to 8 areas		
	Image Setting	Brightness/Contrast/Saturation/Sharpness		
	INTERFACE	Ethernet	1*RJ45 10M/100M Ethernet Port	
Audio I/O		Built-in Microphone and 1 Audio Output interface		
Alarm I/O		1/1		
NETWORK	Network Storage	NAS(Support NFS, SMB/CIFS), ANR		
	Protocol	IPv4/IPv6, ARP, TCP, UDP, RTCP, RTP, RTSP, RTMP, HTTP, HTTPS, DNS, DDNS, DHCP, FTP, NTP, SMTP, SNMP, UPnP, Bonjour, SIP, PPPoE, VLAN, 802.1x, QoS, IGMP, ICMP, SSL		
AUDIO	Audio Compression	G.711/AAC/G.722/G.726		
	Audio Sampling Rate	8/16/32/44.1/48KHz		
	Audio Bit Rate	16~256kbps		
	Two-way Audio	Support		
INTELLIGENT ANALYTICS	Video Analysis	Region Entrance, Region Exiting, Advanced Motion Detection, Tamper Detection, Line Crossing, Loitering, Object Left, Object Removed		
	Face Detection	-	Detect and capture faces, get real-time snapshots	
	People Counting & Report	Count the number of people entering or exiting, up to 4 detection areas for regional people counting		
SYSTEM	Storage	Support microSD/SDHC/SDXC Card Local Storage, up to 256G		
	Advanced Function	BLC, HLC, 2D DNR, 3D DNR, AWB, IP Address Filtering, AGC, Anti-flicker, Corridor Mode, Deblur, Watermark		
	SIP/VoIP Support	Yes, Voice & Video-over-IP		
	Event Trigger	Motion Detection, Network Disconnection, Audio Alarm, External Input, etc.		
	Event Action	FTP Upload, SMTP Upload, SD Card Record, External Output, SIP Phone, HTTP Notification, etc.		
	System Compatibility	ONVIF Profile G & Q & S & T, API		
GENERAL	Working Temperature	-40°C~60°C		
	Working Humidity	0~90%(Non-condensing)		
	Power Supply	PoE (802.3af) / DC 12V±10%		
	Power Consumption	9W MAX / 11W MAX (With IR on)	8W MAX / 11W MAX (With IR on)	
	Weather Proof	Up to IP67-rated for Weather-resistant Performance		
	Housing	Vandal-proof IK10-rated Metal Housing		
	Weight	1100g		
	Dimensions	Φ143mmX108.4mm		
	Warranty	3/5 Years		



OPTIONS	TA-K22872-RTFPA	2MP AI Motorized Dome IP Camera Primary Stream – 90fps
	TA-K22872-RFIPA	2MP AI Motorized Dome IP Camera P-Iris supported
	TA-K22872-RTFIPA	2MP AI Motorized Dome IP Camera Primary Stream – 90fps P-Iris supported
	TA-K55372-FIPA	5MP AI Motorized Dome IP Camera P-Iris supported

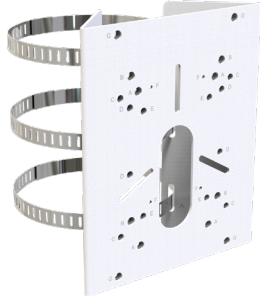
Structure Diagram:



## Accessories:

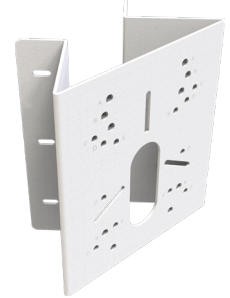
**T01**  
POLE MOUNT

Weight: 720g  
Dimensions:  
170\*51.5\*152.6mm



**T03**  
EXTERNAL CORNER BRACKET

Weight: 900g  
Dimensions:  
170\*152.5\*76.3mm



**T72**  
WALL MOUNT

Weight: 560g  
Dimensions: 240\*160\*136mm



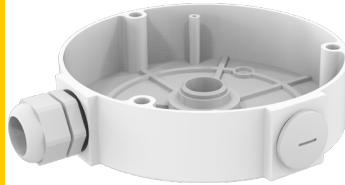
**TA-72**  
SMOKED DOME COVER

Optional for Lens  
Concealment



**T75**  
JUNCTION BOX

Weight: 200g  
Dimensions:  
145\*167\*33.5mm



**T76**  
PENDANT MOUNT

Weight: 620g  
Dimensions: 136\*300mm



**T76-L**  
EXTENSION LEVER

Weight: 315g  
Dimensions: 34\*300mm



**T78**  
RECESSED MOUNT

Weight: 715g  
Dimensions: 256\*256\*94mm

