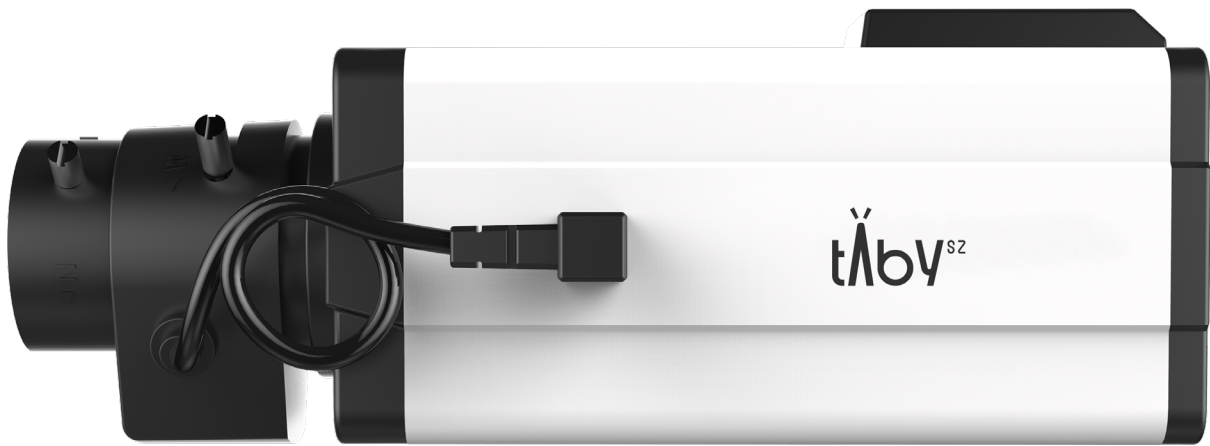


AI Box IP Camera

AI • 2MP • 3 in 1 Super WDR Pro •
0.001Lux Ultra Low-light • 100fps • PoE

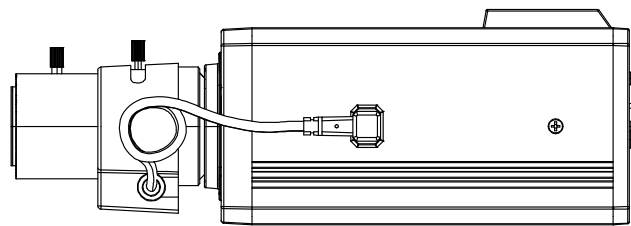
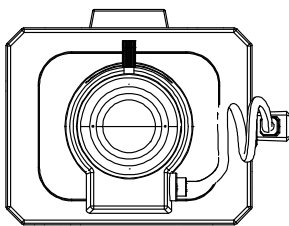
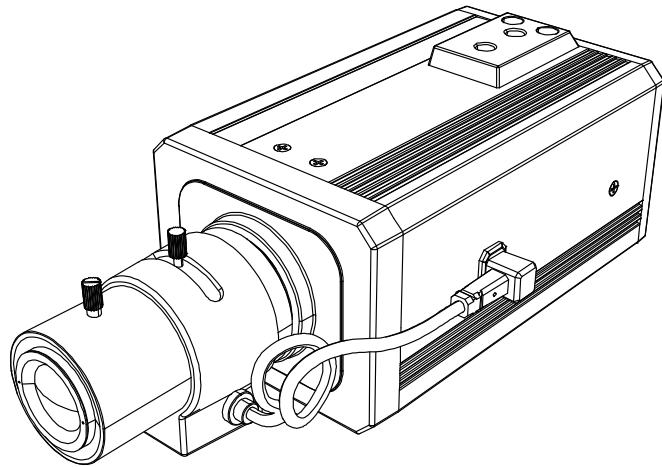
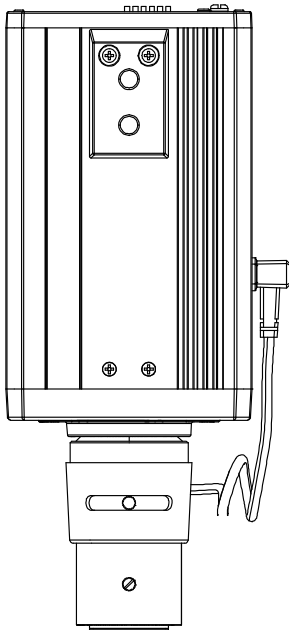


MODEL		TA-K22852-TPK	TA-K22952-RPK
CAMERA	Image Sensor	1/2" Progressive Scan CMOS Sensor	1/2.8" Progressive Scan CMOS Sensor
	Minimum Illumination	Colour: 0.001Lux@F1.2 B/W: 0.0005Lux @F1.2	Colour: 0.002Lux@F1.2 B/W: 0.001Lux@F1.2
	WDR	140dB Super WDR Pro	140dB Super WDR (Super WDR Pro is optional for TA-K22952-RPK)
	Mount		C/CS
	Iris		P-Iris/DC-Iris
	Shutter Time		1/100000s~1s
	Day/Night Mode		Day/Night/Auto/Customize/Schedule
	S/N Ratio		>55dB

VIDEO	Maximum Image Resolution	1920x1080
	Primary Stream	60Hz: 100fps@(1920x1080)(Optional for TA-K22952-RTPK), 60fps@(1920x1080, 1280x960, 1280x720, 704x576) 50Hz: 100fps@(1920x1080)(Optional for TA-K22952-RTPK), 50fps@(1920x1080, 1280x960, 1280x720, 704x576)
	Secondary Stream	60Hz: 60fps@(704x576, 640x480, 640x360, 352x288, 320x240, 320x192, 320x180) 50Hz: 50fps@(704x576, 640x480, 640x360, 352x288, 320x240, 320x192, 320x180)
	Tertiary Stream	60Hz: 30fps@(1920x1080, 1280x720, 704x576, 640x480, 640x360, 320x240, 320x192, 320x180) 50Hz: 25fps@(1920x1080, 1280x720, 704x576, 640x480, 640x360, 320x240, 320x192, 320x180)
	Video Compression	H.265+/H.265(HEVC)/H.264+/H.264/MJPEG
	Video Bit Rate	16Kbps~16Mbps(CBR/VBR Adjustable)
	Privacy Masking	Up to 28 areas(24 mask areas and 4 mosaic areas)
	ROI	Up to 8 areas
	Image Setting	Brightness/Contrast/Saturation/Sharpness
INTERFACE	Ethernet	1*RJ45 10M/100M Ethernet Port
	Audio I/O	1/1
	Alarm I/O	1/1
NETWORK	Network Storage	NAS(Support NFS, SMB/CIFS), ANR
	Protocol	IPv4/IPv6, ARP, TCP, UDP, RTCP, RTP, RTSP, RTMP, HTTP, HTTPS, DNS, DDNS, DHCP, FTP, NTP, SMTP, SNMP, UPnP, Bonjour, SIP, PPPoE, VLAN, 802.1x, QoS, IGMP, ICMP, SSL
AUDIO	Audio Compression	G.711/AAC/G.722/G.726
	Audio Sampling Rate	8/16/32/44.1/48KHz
	Audio Bit Rate	16~256kbps
	Two-way Audio	Support
INTELLIGENT ANALYTICS	Video Analysis	Region Entrance, Region Exiting, Advanced Motion Detection, Tamper Detection, Line Crossing, Loitering, Object Left, Object Removed
	Face Detection	Detect and capture faces, get real-time snapshots
	People Counting & Report	Count the number of people entering or exiting, up to 4 detection areas for regional people counting
SYSTEM	Auto Back Focus	Support(Optional)
	Storage	Support microSD/SDHC/SDXC Card Local Storage, up to 256G
	Advanced Function	Heat Map, BLC, HLC, 2D DNR, 3D DNR, Defog, AWB, EIS, IP Address Filtering, AGC, Anti-flicker, Corridor Mode, Deblur, Watermark
	SIP/VoIP Support	Yes, Voice & Video-over-IP
	Event Trigger	Motion Detection, Network Disconnection, Audio Alarm, etc.
	Event Action	FTP Upload, SMTP Upload, SD Card Record, SIP Phone, HTTP Notification, etc.
	System Compatibility	ONVIF Profile G & Q & S & T, API
GENERAL	Working Temperature	-40°C~60°C
	Working Humidity	0~90%(Non-condensing)
	Power Supply	PoE (802.3af) / DC 12V±10%
	Power Consumption	8W MAX for TA-K22852-TPK & TA-K22952-R(T)PK 10W MAX for TA-K22852-TEPK & TA-K22952-R(T)EPK
	Weight	427g(For ABF version)/366g(For Non-ABF version)
	Dimensions	115mmX62mmX50mm
	Warranty	3/5 Years

OPTIONS	TA-K22852-TEPK	2MP AI Box IP Camera Primary Stream – 100fps Power Consumption – 10W MAX
	TA-K22952-RTPK	2MP AI Box IP Camera Primary Stream – 100fps
	TA-K22952-REPK	2MP AI Box IP Camera Primary Stream – 60fps Power Consumption – 10W MAX
	TA-K22952-RTEPK	2MP AI Box IP Camera Primary Stream – 100fps Power Consumption – 10W MAX

Structure Diagram:



Accessories:

T51 PROTECTIVE HOUSING

Weight: 1988g
Dimensions: 380*150*H mm
(Adjustable)

